

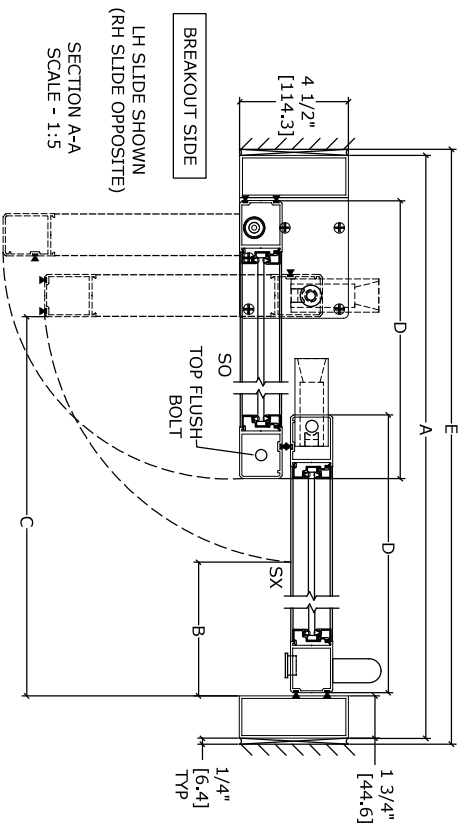
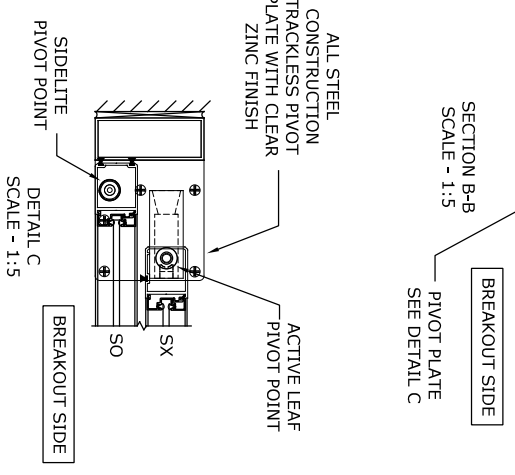
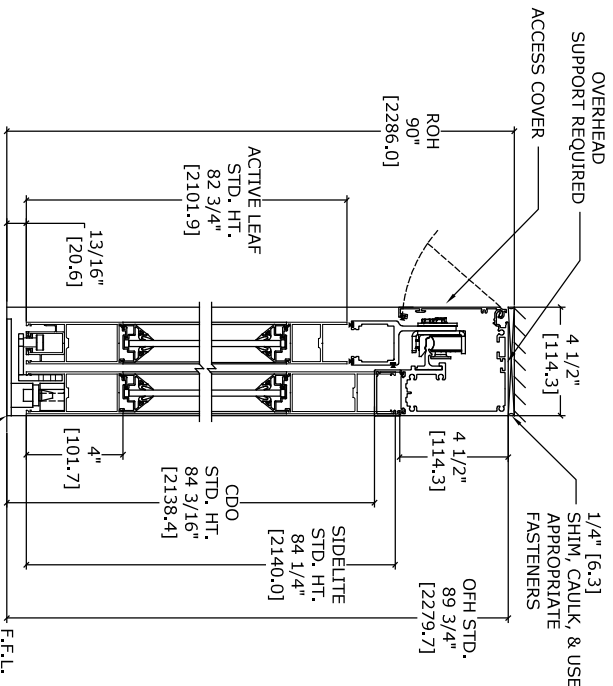
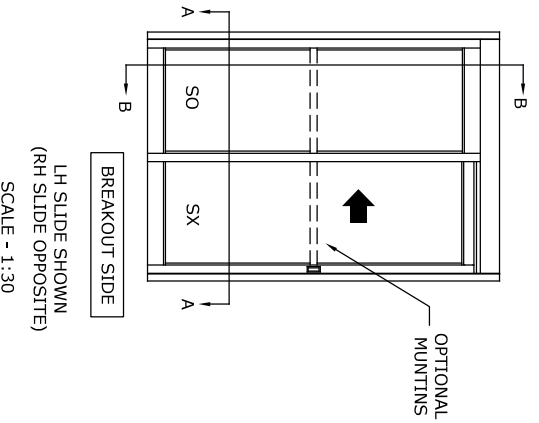
DS-10-1-FB

OVERHEAD CONCEALED FULL BREAKOUT TRACKLESS NARROW STILE SINGLE SLIDE MANUAL DOOR SYSTEM

DIMENSIONS FOR 1/4" [6.4] GLASS

MODEL NO.	OVERALL FRAME WIDTH (A)	CLEAR DOOR OPENING WIDTH (B)	BREAKOUT OPENING (C)	ACTIVE & SIDELITE LEAF WIDTH (D)	ROUGH OPENING WIDTH (E)
DS10S2FBO-7	84"	35 9/16"	73 1/4"	41 7/16"	84 1/2"
	[2133.6]	[903.3]	[1860.5]	[1052.1]	[2146.3]
DS10S2FBO-8	96"	41 9/16"	85 1/4"	47 7/16"	96 1/2"
	[2438.4]	[1055.7]	[2165.3]	[1204.5]	[2451.1]
DS10S2FBO-8-6	102"	44 9/16"	91 1/4"	50 7/16"	102 1/2"
	[2590.8]	[1131.9]	[2317.7]	[1280.7]	[2603.5]
DS10S2FBO-9	108"	47 9/16"	97 1/4"	53 7/16"	108 1/2"
	[2743.2]	[1208.1]	[2470.1]	[1356.9]	[2755.9]
KEY:		(A/2)-6 7/16"	A-10 3/4"	(A/2)-9 1/16"	A+1 1/2"
		(A/2)-[163.5]	A-[273.1]	(A/2)-[14.7]	A+[12.7]

⊖ - MEETS OR EXCEEDS DIMENSIONAL REQUIREMENTS OF NPFA SECTION 18.2.3.6(1) CODE
⊕ - MEETS OR EXCEEDS DIMENSIONAL REQUIREMENTS OF CBC 2007 1008.1.1 CODE



NOTES:

- STANDARD PACKAGE CONSISTS OF:
 - STANDARD FINISH: CLASS 1, .018MM, CLEAR-AA-M12C22A41
 - NARROW STILE RAILS
 - 1/4" GLASS STOPS AND BLOCKS
 - PULL HANDLE(S) AND RECESSED FINGER PULL(S)
 - NURSE ASSIST MAGNETIC CATCHES
 - FULL OPENING DAMPENING DEVICE
 - CONCEALED SWEEPS
- OPTIONS AVAILABLE:
 - SPECIAL FINISHES
 - PACKAGE WILL ACCEPT .58" [15.9], 1" [25.4] & 1 1/4" [31.8] GLASS
 - 7" & 10" BOTTOM RAILS
 - 1" WIDE JAMBS
 - MUNTINS
 - SELF CLOSING
 - MAGNETIC HOLD OPEN
 - A.L. DAMPENER
 - ANTI-STATIC
 - CENTERING WHEEL
 - TRACK PACKAGE
 - FULL CLOSING DAMPENING DEVICE

DATE: 8/27/20 DATE: 4/22/21

SS DATE: 8/27/20 DATE: 4/22/21

DATE: DATE: DATE: DATE:

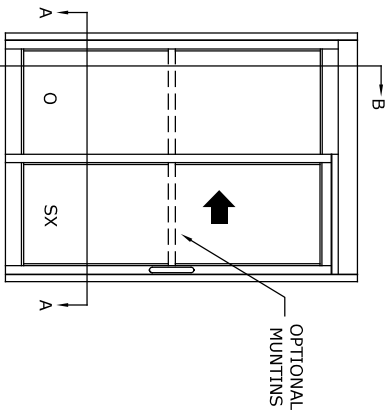
SECTION NO. SHEET NO.

ENTRE/MATIC DS10 1

REFER TO RELEVANT [LOCAL, STATE, NATIONAL, OR AHJ] BUILDING CODE FOR MIN DOOR HEIGHT & MIN/MAX WIDTH ALLOWABLE FOR EGRESS REQUIREMENT IN CONJUNCTION WITH TABLE.

DS-10-1-FL

OVERHEAD CONCEALED FIXED SIDELITE TRACKLESS
NARROW STILE SINGLE SLIDE MANUAL DOOR SYSTEM

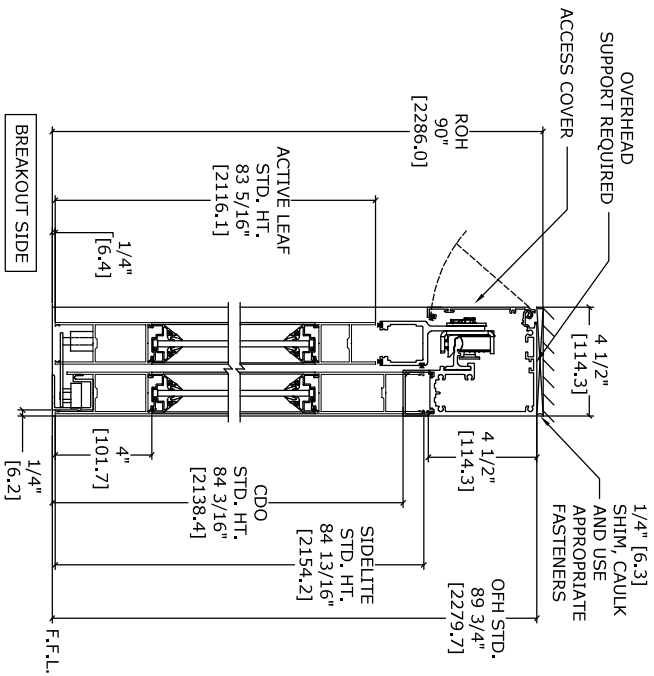


BREAKOUT SIDE
LH SLIDE SHOWN
(RH SLIDE OPPOSITE)
SCALE - 1:30

NOTES:
STANDARD PACKAGE CONSISTS OF:

- STANDARD FINISH:
CLASS 1, .018MM, CLEAR-AA-M12C22A41
- NARROW STILE RAILS
- 1/4" GLASS STOPS AND BLOCKS
- PULL HANDLE(S) AND RECESSED FINGER PULL(S)
- NURSE ASSIST MAGNETIC CATCHES
- FULL OPENING DAMPENING DEVICE
- CONCEALED SWEEPS

- OPTIONS AVAILABLE:
- SPECIAL FINISHES
 - PACKAGE WILL ACCEPT: 5/8" [15.9], 1" [25.4] & 1 1/4" [31.8]
 - GLASS
 - 7" & 10" BOTTOM RAILS
 - 1" WIDE JAMBS
 - MUNTINS
 - SELF CLOSING
 - MAGNETIC HOLD OPEN
 - AL DAMPENER
 - ANTI-STATIC
 - CENTERING WHEEL
 - TRACK PACKAGE
 - FULL CLOSING DAMPENING DEVICE

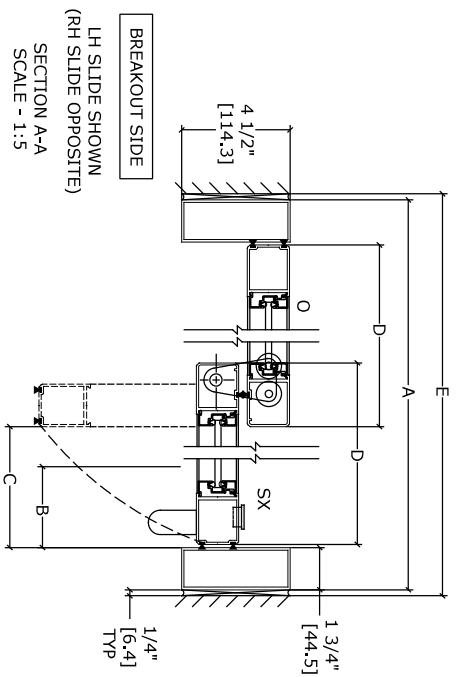


SECTION B-B
SCALE - 1:5

DIMENSIONS FOR 1/4" [6.4] GLASS

MODEL NO.	OVERALL FRAME WIDTH (A)	CLEAR DOOR OPENING WIDTH (B)	BREAKOUT OPENING (C)	ACTIVE & SIDELITE LEAF WIDTH (D)	ROUGH OPENING WIDTH (E)
DS10S2FSL-7	84" [2133.6]	35 9/16" [903.3]	38 15/16" [989]	41 7/16" [1052.5]	84 1/2" [2146.3]
DS10S2FSL-8	96" [2438.4]	41 9/16" [1055.7]	44 15/16" [1141.4]	47 7/16" [1204.9]	96 1/2" [2451.1]
DS10S2FSL-8-6	102" [2590.8]	44 9/16" [1131.9]	47 15/16" [1217.6]	50 7/16" [1281.1]	102 1/2" [2603.5]
DS10S2FSL-9	108" [2743.2]	47 9/16" [1208.1]	50 15/16" [1293.8]	53 7/16" [1357.3]	108 1/2" [2755.9]

KEY:
 ⊕ - MEETS OR EXCEEDS DIMENSIONAL REQUIREMENTS OF NFPA SECTION 18.2.3.6(1) CODE
 ⊙ - MEETS OR EXCEEDS DIMENSIONAL REQUIREMENTS OF CBC 2007 1008.1.1 CODE



- DOORS WILL BREAK OUT IN ANY POSITION

REFER TO RELEVANT [LOCAL, STATE, NATIONAL, OR AHJ] BUILDING CODE FOR MIN DOOR HEIGHT & MIN/MAX WIDTH ALLOWABLE FOR EGRESS REQUIREMENT IN CONJUNCTION WITH TABLE.

DATE: 8/27/20
 CHECK BY: DATE: 8/30/20
 DRAWN BY: SS DATE: 8/27/20
 SECTION NO. SHEET NO. 2

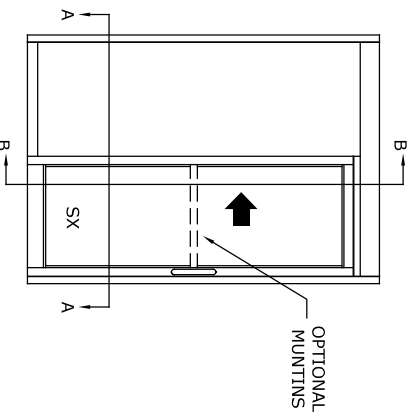
ENTREMATIC DS10 2

DS-10-1-SFL

**SURFACE APPLIED FULL BREAKOUT
 NARROW STILE SINGLE SLIDE MANUAL DOOR SYSTEM**

DIMENSIONS FOR 1/4" [6.4] GLASS

MODEL NO.	ROUGH OPENING WIDTH (A)	CLEAR DOOR OPENING WIDTH (B)	OVERALL FRAME WIDTH (C)	ACTIVE LEAF WIDTH (D)
DS10SA1-3	36" [914.4]	32 3/8" [822.3]	78 1/8" [1984.4]	38 1/2" [977.9]
DS10SA1-3-6	42" [1066.8]	38 3/8" [974.7]	90 1/8" [2289.2]	44 1/2" [1130.3]
DS10SA1-4	48" [1219.2]	44 3/8" [1127.1]	102 1/8" [2594]	50 1/2" [1282.7]
KEY:		A- 3 5/8" A- [92.1]	2A+ 6 1/8" 2A+ [155.6]	A+ 2.5" A+ [63.5]



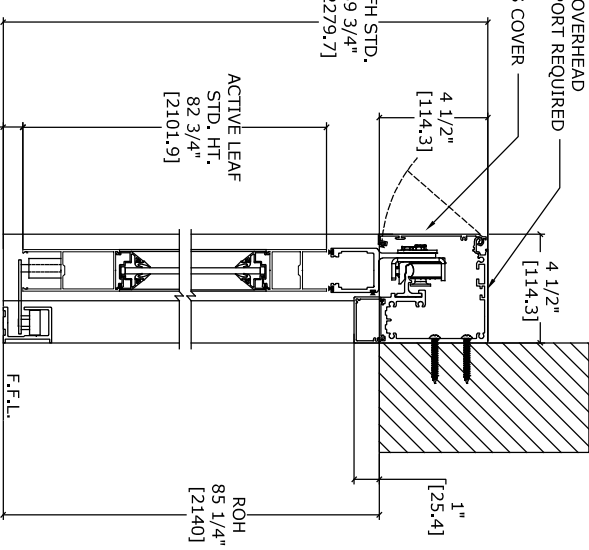
BREAKOUT SIDE

LH SLIDE SHOWN
(RH SLIDE OPPOSITE)

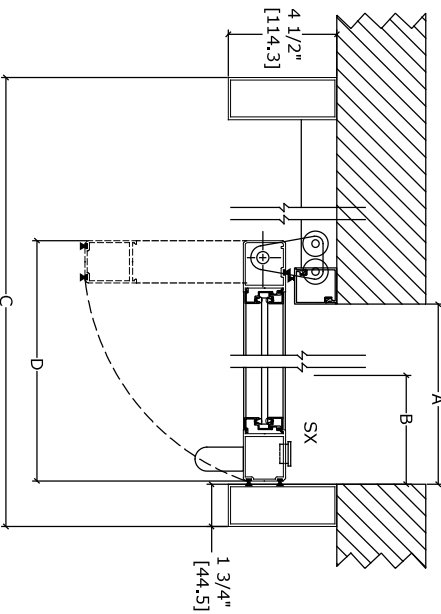
SCALE - 1:30

NOTES:

- STANDARD PACKAGE CONSISTS OF:
 - STANDARD FINISH: CLASS 1, .018MM, CLEAR-AA-M12C22A41
 - NARROW STILE RAILS
 - 1/4" GLASS STOPS AND BLOCKS
 - PULL HANDLE(S) AND RECESSED FINGER PULL(S)
 - NURSE ASSIST MAGNETIC CATCHES
 - FULL OPENING DAMPENING DEVICE
 - CONCEALED SWEEPS
- OPTIONS AVAILABLE:
 - SPECIAL FINISHES
 - PACKAGE WILL ACCEPT: 5/8" [15.9], 1" [25.4] & 1 1/4" [31.8] GLASS
 - 7" & 10" BOTTOM RAILS
 - 1" WIDE JAMBS
 - MUNTINS
 - SELF CLOSING
 - MAGNETIC HOLD OPEN
 - A.L. DAMPENER
 - ANTI-STATIC
 - CENTERING WHEEL
 - TRACK PACKAGE
 - FULL CLOSING DAMPENING DEVICE



SECTION B-B
SCALE - 1:5



SECTION A-A
SCALE - 1:5

• DOORS WILL BREAK OUT IN ANY POSITION

REFER TO RELEVANT [LOCAL, STATE, NATIONAL, OR AHJ] BUILDING CODE FOR MIN DOOR HEIGHT & MIN/MAX WIDTH ALLOWABLE FOR EGRESS REQUIREMENT IN CONJUNCTION WITH TABLE.

DATE	DATE	DATE	DATE
SS	8/27/20	CRK	8/30/20

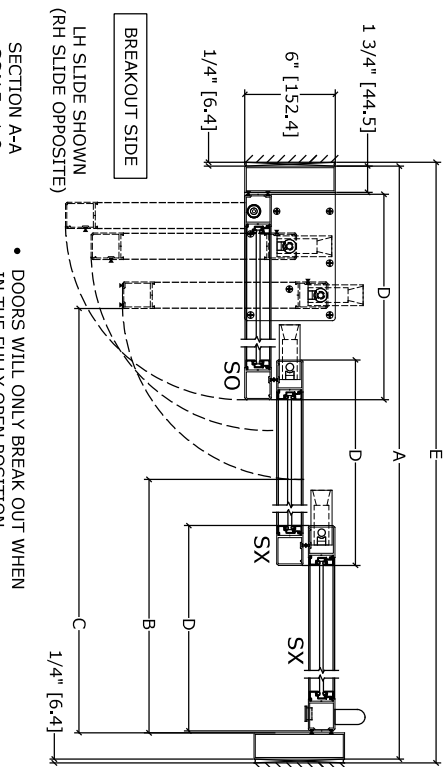
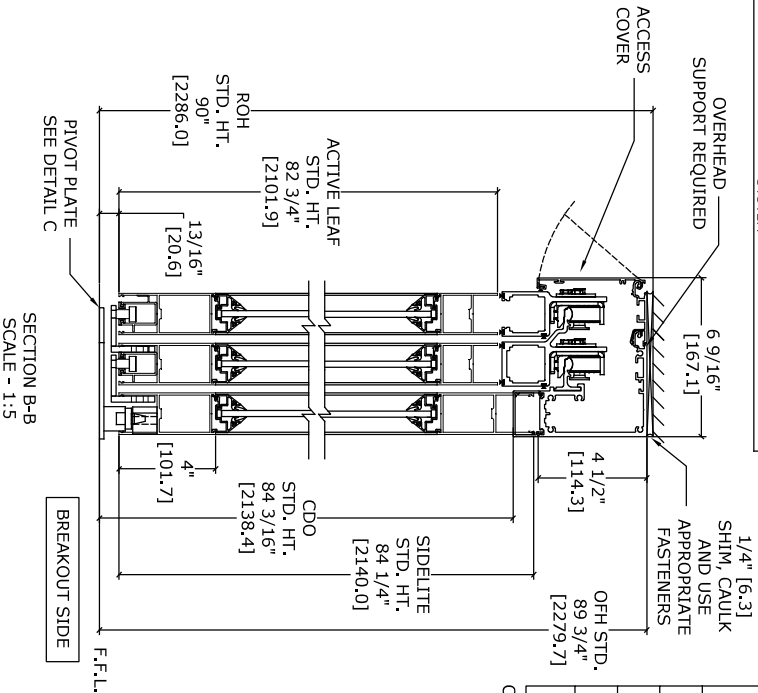
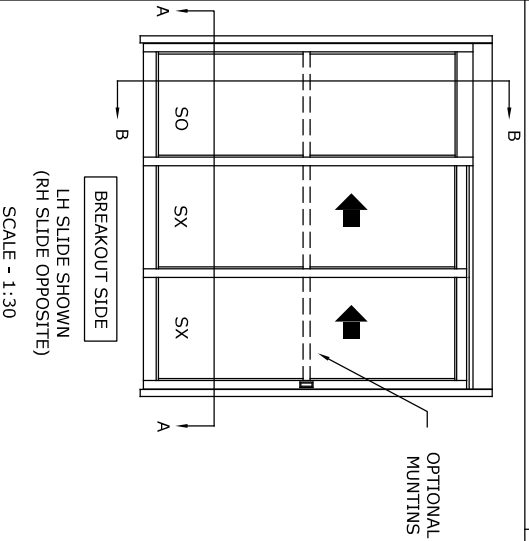
ENTRE/MATIC **DS10 3**

DS-10-3-TFB

DIMENSIONS FOR 1/4" [6.4] GLASS

MODEL NO.	OVERALL FRAME WIDTH (A)	CLEAR DOOR OPENING (B)	BREAKOUT OPENING (C)	ACTIVE & SIDELITE LEAF WIDTH (D)	ROUGH OPENING WIDTH (E)
DS10T3FBO-8	96"	53 3/4"	82 1/2"	32 1/2"	96 1/2"
DS10T3FBO-10	[2438.4] 120"	[1365.3] 69 3/4"	[2095.5] 106 1/2"	[825.5] 40 1/2"	[2451.1] 120 1/2"
DS10T3FBO-12	[3048.0] 144"	[1771.7] 85 3/4"	[2705.1] 130 1/2"	[1028.7] 48 1/2"	[3060.7] 144 1/2"
KEY:		(2*A/3)-10 1/4" (2*A/3)-[260.4]	A-13 1/2" A-[342.9]	(A/3)+1/2" (A/3)+[12.7]	A+1/2" A+[12.7]

CONSULT FACTORY FOR ALL CUSTOM CONFIGURATION SIZES OR SIZES OVER 12'.



• DOORS WILL ONLY BREAK OUT WHEN IN THE FULLY OPEN POSITION.

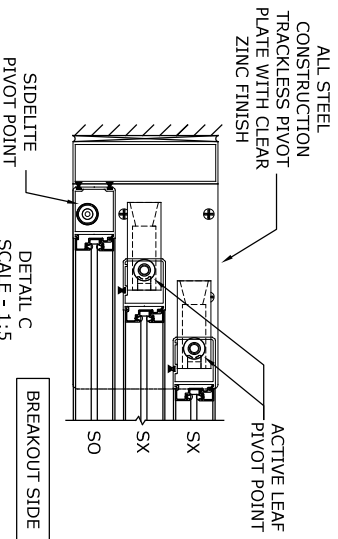
NOTES:

STANDARD PACKAGE CONSISTS OF:

- STANDARD FINISH: CLASS 1, .018MM, CLEAR-AA-M12C22A41
- NARROW STYLE RAILS
- 1/4" GLASS STOPS AND BLOCKS
- PULL HANDLE(S) AND RECESSED FINGER PULL(S)
- NURSE ASSIST MAGNETIC CATCHES
- FULL OPENING DAMPENING DEVICE
- CONCEALED SWEEPS

OPTIONS AVAILABLE:

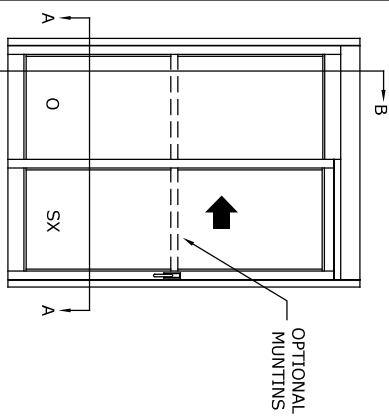
- SPECIAL FINISHES
- PACKAGE WILL ACCEPT: 5/8" [15.9], 1" [25.4] & 1 1/4" [31.8] GLASS
- 7" & 10" BOTTOM RAILS
- 1" WIDE JAMBS
- MUNTINS
- SELF CLOSING
- MAGNETIC HOLD OPEN
- AL DAMPENER
- ANTI-STATIC
- CENTERING WHEEL
- TRACK PACKAGE
- FULL CLOSING DAMPENING DEVICE



REFER TO RELEVANT LOCAL, STATE, NATIONAL, OR AHI] BUILDING CODE FOR MIN DOOR HEIGHT & MIN/MAX WIDTH ALLOWABLE FOR EGRESS REQUIREMENT IN CONJUNCTION WITH TABLE.

DATE	DATE	DATE	DATE	DATE
SS	8/27/20	CRK	4/22/21	

SECTION NO.	SHEET NO.

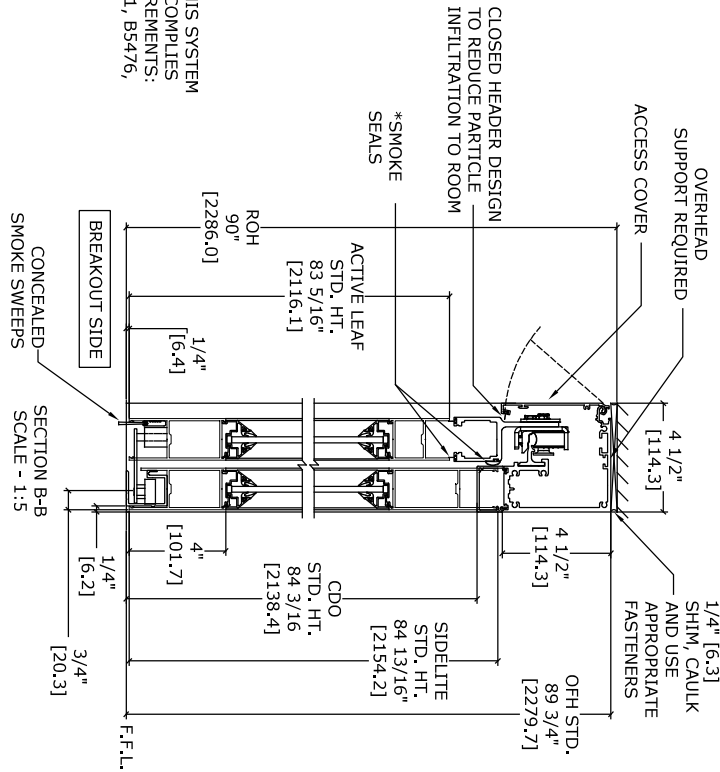


LH SLIDE SHOWN
 (RH SLIDE OPPOSITE)
 SCALE - 1:30

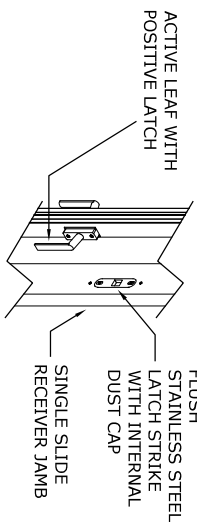
* SEALS: FACTORY APPLIED SEALS USED ON THIS SYSTEM TO SLOW OR RESTRICT PASSAGE OF SMOKE COMPLETS TO ONE OR MORE OF THE FOLLOWING REQUIREMENTS: UL1784, ANSI/NFPA105 2007, UBC7-2, PART11, B5476, UL10B, UL10C, UBC7-2 PART 1 & B5476.

NOTES:

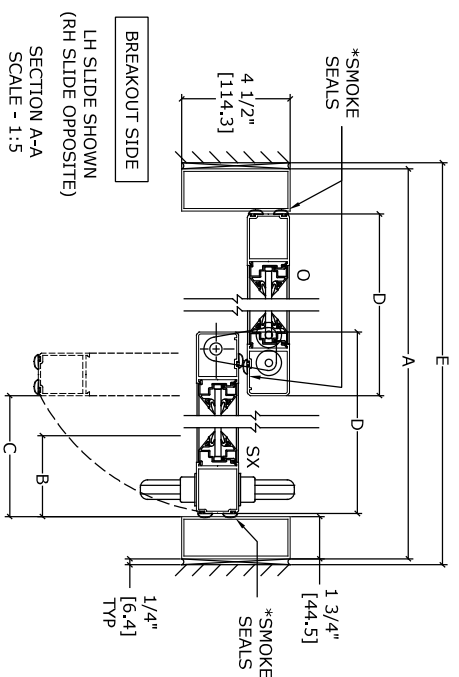
- STANDARD PACKAGE CONSISTS OF:
 - STANDARD FINISH: CLASS 1, 018MM CLEAR-AA-M12C22A41
 - NARROW STILE RAILS
 - 1/4" GLASS STOPS AND BLOCKS
 - NURSE ASSIST MAGNETIC CATCHES
 - POSITIVE LATCHING
 - CONCEALED SWEEPS
 - SMOKE RATED SEALS
- OPTIONS AVAILABLE:
 - SPECIAL FINISHES
 - PACKAGE WILL ACCEPT .5/8" [15.9], 1" [25.4] & 1 1/4" [31.8] GLASS
 - 7" & 10" BOTTOM RAILS
 - 1 WIDE JAMBS
 - MUNTINS
 - SELF-CLOSING
 - MAGNETIC HOLD OPEN
 - AL DAMPENER
 - ANTI-STATIC
 - CENTERING WHEEL
 - TRACK PACKAGE
 - FULL CLOSING DAMPENING DEVICE



SECTION B-B
 SCALE - 1:5



FLUSH STAINLESS STEEL LATCH STRIKE WITH INTERNAL DUST CAP



SECTION A-A
 SCALE - 1:5

• DOORS WILL BREAK OUT IN ANY POSITION

REFER TO RELEVANT [LOCAL, STATE, NATIONAL, OR AHJ] BUILDING CODE FOR MIN DOOR HEIGHT & MIN/MAX WIDTH ALLOWABLE FOR EGRESS REQUIREMENT IN CONJUNCTION WITH TABLE.

MODEL NO.	OVERALL FRAME WIDTH (A)	CLEAR DOOR OPENING WIDTH (B)	BREAKOUT OPENING (C)	ACTIVE & SIDELITE LEAF WIDTH (D)	ROUGH OPENING WIDTH (E)
VMS2FSL-7	84" [2133.6]	35 9/16" [903.3]	38 15/16" [989]	41 7/16" [1052.5]	84 1/2" [2146.3]
VMS2FSL-8	96" [2438.4]	41 9/16" [1055.7]	44 15/16" [1141.4]	47 7/16" [1204.9]	96 1/2" [2451.1]
VMS2FSL-8-6	102" [2590.8]	44 9/16" [1131.9]	47 15/16" [1217.6]	50 7/16" [1281.1]	102 1/2" [2603.5]
VMS2FSL-9	108" [2743.2]	47 9/16" [1208.1]	50 15/16" [1293.8]	53 7/16" [1357.3]	108 1/2" [2755.9]

⊕ - MEETS OR EXCEEDS DIMENSIONAL REQUIREMENTS OF NFPA SECTION 18.2.3.6(1) CODE
 ⊙ - MEETS OR EXCEEDS DIMENSIONAL REQUIREMENTS OF CBC 2007 1008.1.1 CODE

DIMENSIONS FOR 1/4" [6.4] GLASS

DATE: 8/27/20
 DRAWN BY: SS
 CHECK BY: []
 DATE: 8/30/20
 REVISION: 0.1
 DATE: 8/30/20

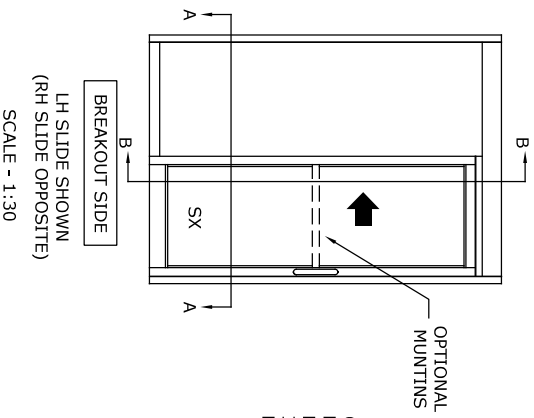
SECTION NO. _____ SHEET NO. _____

ENTREMATI[®] DS10 7

DS-10-1-SFL-SR
 SURFACE APPLIED FULL BREAKOUT
 UL 1784 SMOKE CERTIFIED NARROW STILE
 SINGLE SLIDE MANUAL DOOR SYSTEM

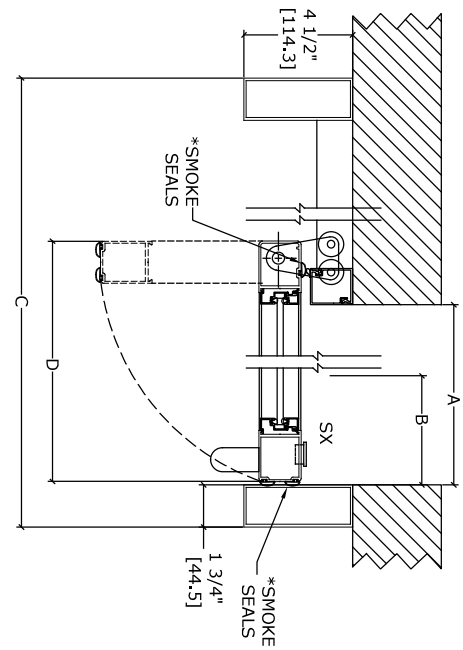
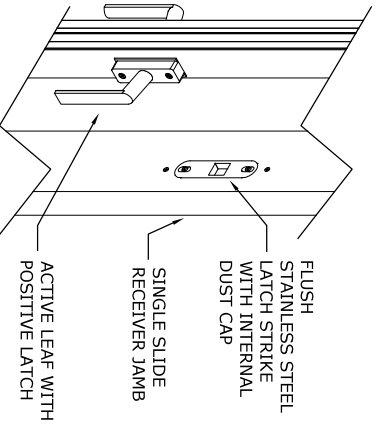
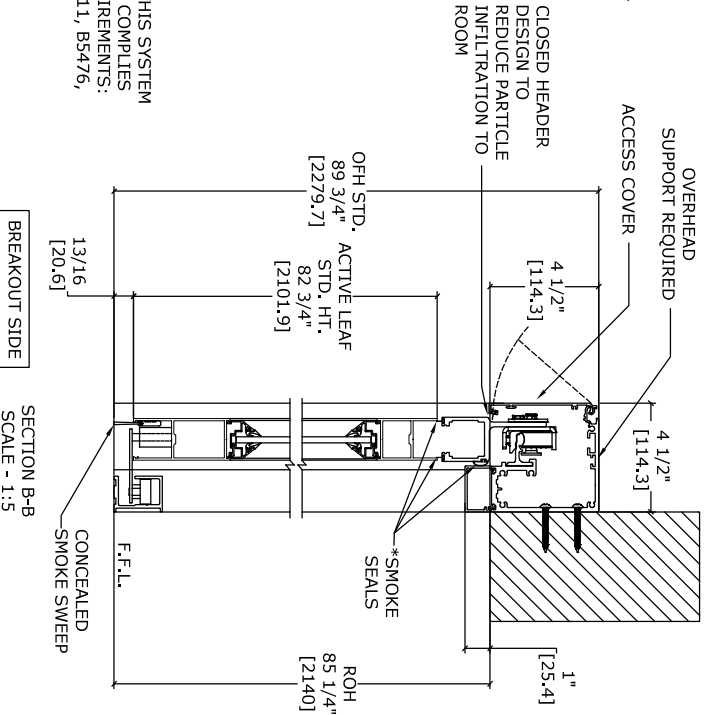
DIMENSIONS FOR 1/4" [6.4] GLASS

MODEL NO.	ROUGH OPENING WIDTH (A)	CLEAR DOOR OPENING WIDTH (B)	OVERALL FRAME WIDTH (C)	ACTIVE LEAF WIDTH (D)
DS10SA1-3	36" [914.4]	32 3/8" [822.3]	78 1/8" [1984.4]	38 1/2" [977.9]
DS10SA1-3-6	42" [1066.8]	38 3/8" [974.7]	90 1/8" [2289.2]	44 1/2" [1130.3]
DS10SA1-4	48" [1219.2]	44 3/8" [1127.1]	102 1/8" [2594]	50 1/2" [1282.7]
KEY:		A- 3 5/8" [92.1]	2A+ 6 1/8" [155.6]	A+ 2.5" [63.5]



* SEALS: FACTORY APPLIED SEALS USED ON THIS SYSTEM TO SLOW OR RESTRICT PASSAGE OF SMOKE COMPLETES TO ONE OR MORE OF THE FOLLOWING REQUIREMENTS: UL1784, ANSI/NFPA105 2007, UBC7-2, PART11, B5476, UL10B, UL10C, UBC7-2 PART 1 & B5476.

- NOTES:**
- STANDARD PACKAGE CONSISTS OF:
 - STANDARD FINISH: CLASS 1, 018MM CLEAR-AA-M12C22A41
 - NARROW STILE RAILS
 - 1/4" GLASS STOPS AND BLOCKS
 - NURSE ASSIST MAGNETIC CATCHES
 - POSITIVE LATCHING
 - CONCEALED SWEEPS
 - SMOKE RATED SEALS
 - OPTIONS AVAILABLE:
 - SPECIAL FINISHES
 - PACKAGE WILL ACCEPT .5/8" [15.9], 1" [25.4] & 1 1/4" [31.8] GLASS
 - 7" & 10" BOTTOM RAILS
 - 1" WIDE JAMBS
 - MOUNTINGS
 - SELF-CLOSING
 - MAGNETIC HOLD OPEN
 - AL DAMPENER
 - ANTI-STATIC
 - CENTERING WHEEL
 - TRACK PACKAGE
 - FULL CLOSING DAMPENING DEVICE



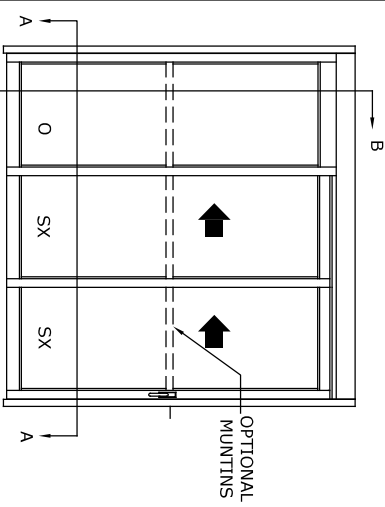
REFER TO RELEVANT [LOCAL, STATE, NATIONAL, OR AHJ] BUILDING CODE FOR MIN DOOR HEIGHT & MIN/MAX WIDTH ALLOWABLE FOR EGRESS REQUIREMENT IN CONJUNCTION WITH TABLE.

DATE: 8/27/20
 DATE: 8/30/20

ENTREMATIC **DS10 8**

DS-10-3-TFL-SR

OVERHEAD CONCEALED FIXED SIDELITE TRACKLESS SINGLE SLIDE
 ULL1784 SMOKE CERTIFIED NARROW STILE TELESCOPIC EQUAL PANEL
 SLIDING MANUAL DOOR SYSTEM



SCALE - 1:30

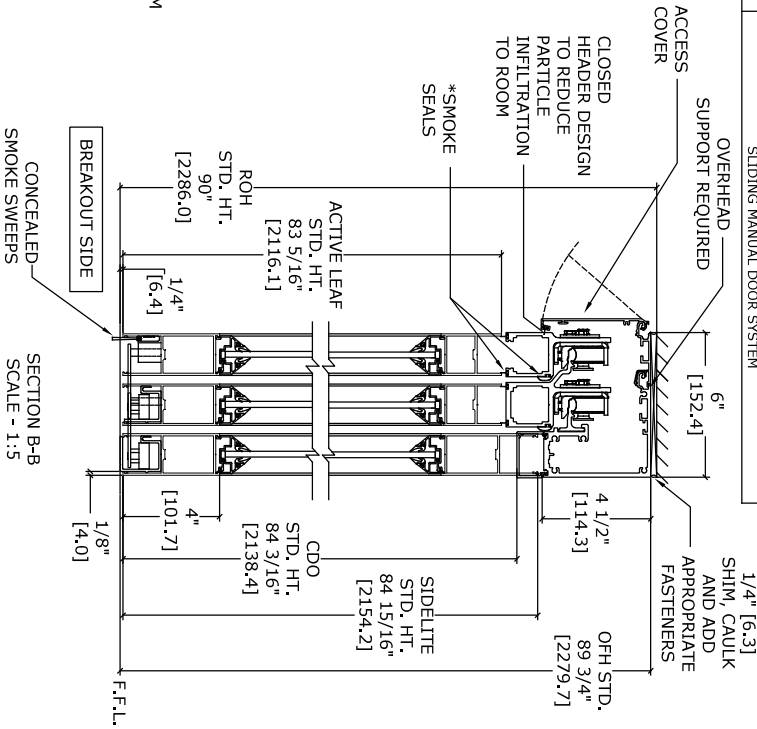
* SEALS : FACTORY APPLIED SEALS USED ON THIS SYSTEM
 TO SLOW OR RESTRICT PASSAGE OF SMOKE COMPLETES
 TO ONE OR MORE OF THE FOLLOWING REQUIREMENTS:
 ULL1784, ANSI/NFPA105 2007, UBC7-2, PART11, B5476,
 ULL108, ULL10C, UBC7-2 PART 1 & B5476.

NOTES:

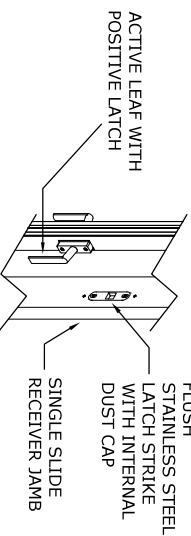
- STANDARD PACKAGE CONSISTS OF:
- STANDARD FINISH:
 - CLASS 1, 018MM CLEAR-AA-M12C22A41
 - NARROW STILE RAILS
 - 1/4" GLASS STOPS AND BLOCKS
 - NURSE ASSIST MAGNETIC CATCHES
 - POSITIVE LATCHING
 - CONCEALED SWEEPS
 - SMOKE RATED SEALS

OPTIONS AVAILABLE:

- SPECIAL FINISHES
- PACKAGE WILL ACCEPT .5/8" [15.9], 1" [25.4] & 1 1/4" [31.8]
- GLASS
- 7" & 10" BOTTOM RAILS
- 1" WIDE JAMBS
- MUNTINS
- SELF-CLOSING
- MAGNETIC HOLD OPEN
- AL DAMPENER
- ANTI-STATIC
- CENTERING WHEEL
- TRACK PACKAGE
- FULL CLOSING DAMPENING DEVICE



SECTION B-B
 SCALE - 1:5



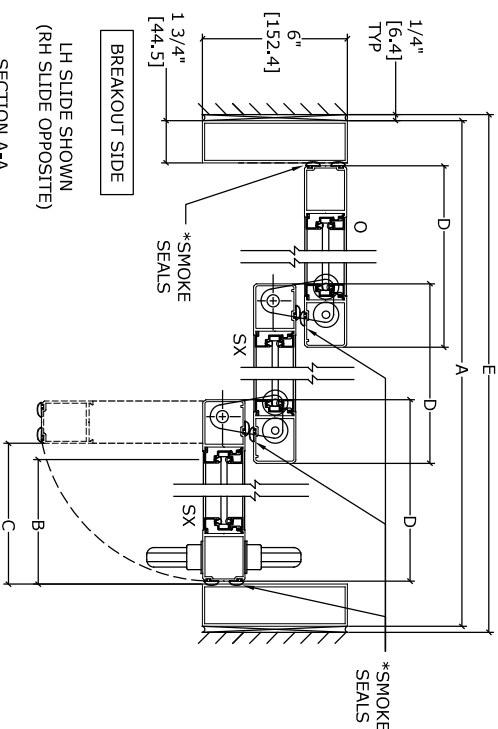
FLUSH STAINLESS STEEL LATCH STRIKE WITH INTERNAL DUST CAP

SINGLE SLIDE RECEIVER JAMB

DIMENSIONS FOR 1/4" [6.4] GLASS

MODEL NO.	OVERALL FRAME WIDTH (A)	CLEAR DOOR OPENING (B)	BREAKOUT OPENING (C)	ACTIVE & SIDELITE LEAF WIDTH (D)	ROUGH OPENING WIDTH (E)
DS10T3FSLT-8	96"	53 3/4"	56 1/4"	32 1/2"	96 1/2"
	[2438.4]	[1365.3]	[1428.8]	[825.5]	[2451.1]
DS10T3FSLT-10	120"	69 3/4"	72 1/4"	40 1/2"	120 1/2"
	[3048.0]	[1771.7]	[1835.2]	[1028.7]	[3060.7]
DS10T3FSLT-12	144"	85 3/4"	88 1/4"	48 1/2"	144 1/2"
	[3657.6]	[2178.1]	[2241.6]	[1231.9]	[3670.3]
KEY:		(2*A/3)-10 1/4"	(2*A/3)-7 3/4"	(A/3)+1/2"	A+1/2"
		(2*A/3)-[260.4]	(2*A/3)-[196.9]	(A/3)+[12.7]	A+[12.7]

CONSULT FACTORY FOR ALL CUSTOM CONFIGURATION SIZES OR SIZES OVER 12'.



SECTION A-A
 SCALE - 1:5

- DOORS WILL BREAK OUT IN ANY POSITION

REFER TO RELEVANT [LOCAL, STATE, NATIONAL, OR AHJ] BUILDING CODE FOR MIN DOOR HEIGHT & MIN/MAX WIDTH ALLOWABLE FOR EGRESS REQUIREMENT IN CONJUNCTION WITH TABLE.

DATE	DATE	DATE	DATE	DATE
SS	8/27/20	CR	8/27/20	8/30/20
SECTION NO.		SHEET NO.		