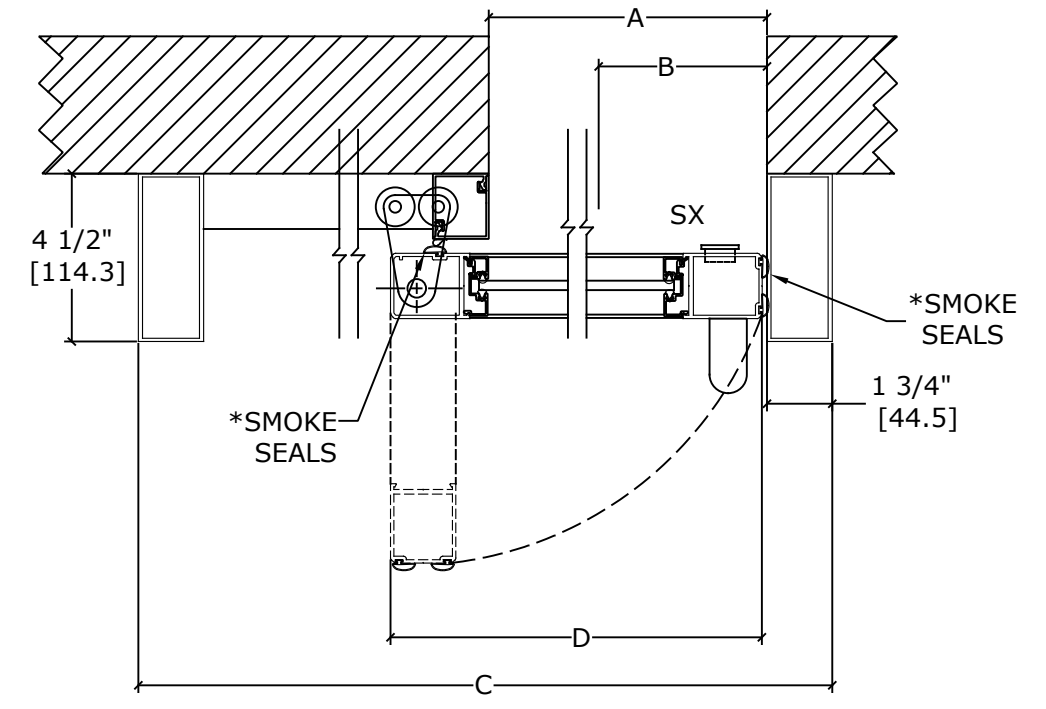
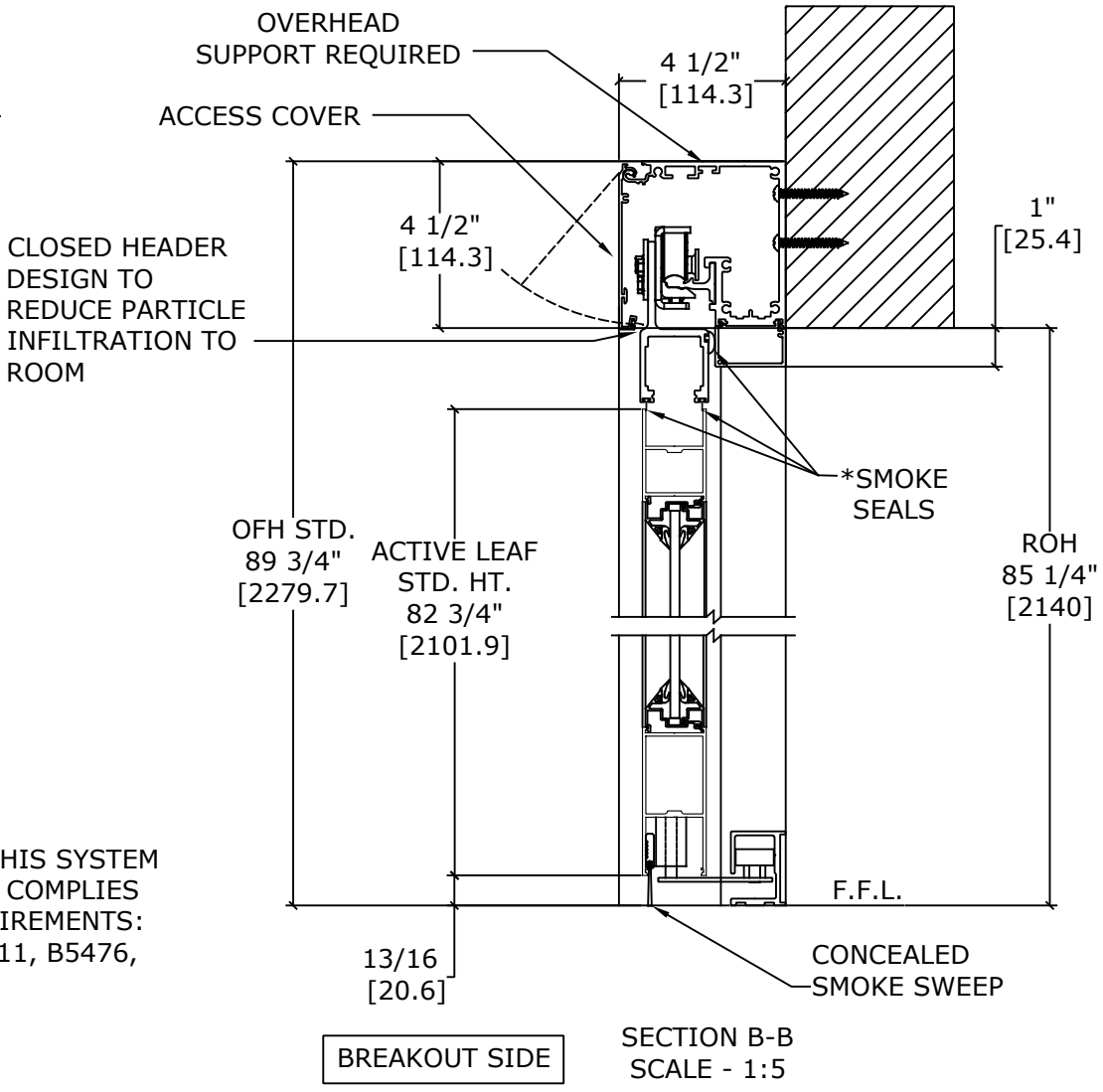
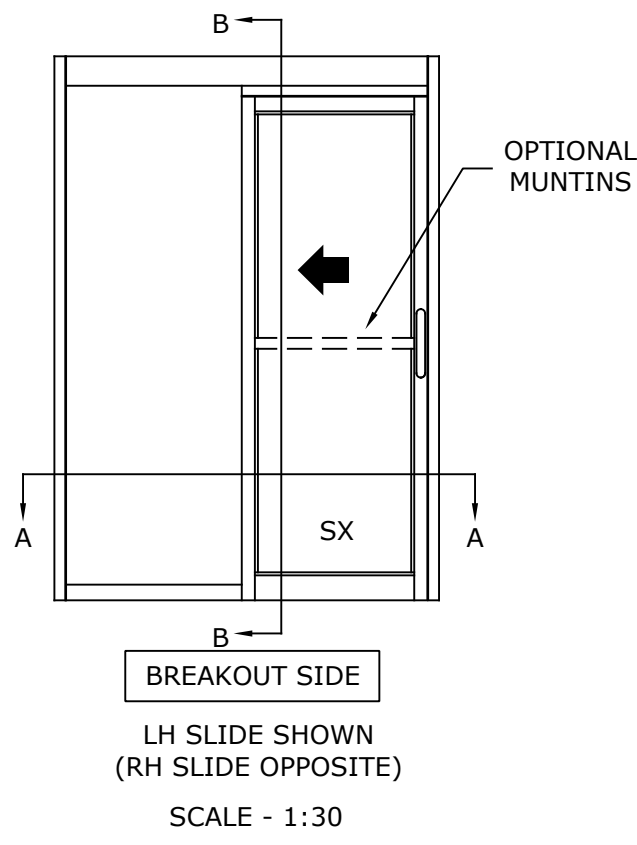


**DS-10-1-SFL-SR**  
SURFACE APPLIED FULL BREAKOUT  
UL 1784 SMOKE CERTIFIED NARROW STILE  
SINGLE SLIDE MANUAL DOOR SYSTEM

DIMENSIONS FOR 1/4" [6.4] GLASS

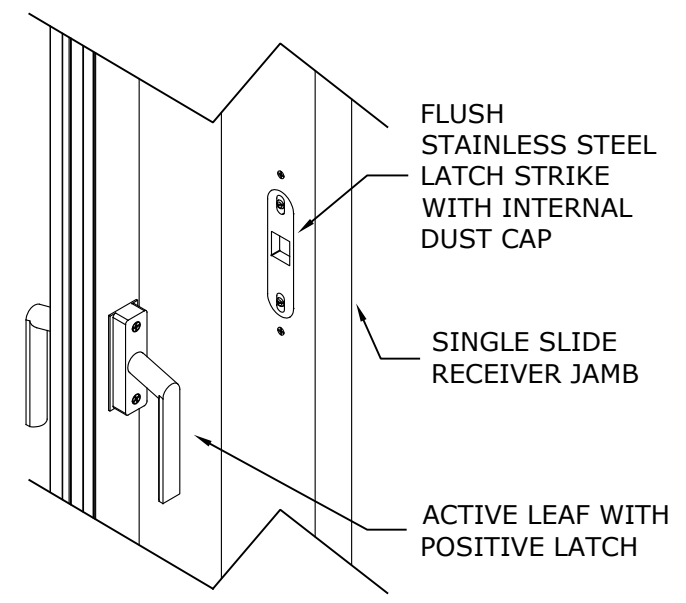
MODEL NO.	ROUGH OPENING WIDTH (A)	CLEAR DOOR OPENING WIDTH (B)	OVERALL FRAME WIDTH (C)	ACTIVE LEAF WIDTH (D)
DS10SA1-3	36" [914.4]	32 3/8" [822.3]	78 1/8" [1984.4]	38 1/2" [977.9]
DS10SA1-3-6	42" [1066.8]	38 3/8" [974.7]	90 1/8" [2289.2]	44 1/2" [1130.3]
DS10SA1-4	48" [1219.2]	44 3/8" [1127.1]	102 1/8" [2594]	50 1/2" [1282.7]
KEY:		A- 3 5/8" A- [92.1]	2A+ 6 1/8" 2A+ [155.6]	A+ 2.5" A+ [63.5]



\* SEALS: FACTORY APPLIED SEALS USED ON THIS SYSTEM TO SLOW OR RESTRICT PASSAGE OF SMOKE COMPLIES TO ONE OR MORE OF THE FOLLOWING REQUIREMENTS: UL1784, ANSI/NFPA105 2007, UBC7-2, PART11, B5476, UL10B, UL10C, UBC7-2 PART 1 & B5476.

- NOTES:**  
STANDARD PACKAGE CONSISTS OF:
- STANDARD FINISH: CLASS 1, .018MM, CLEAR- AA-M12C22A41
  - NARROW STILE RAILS
  - 1/4" GLASS STOPS AND BLOCKS
  - NURSE ASSIST MAGNETIC CATCHES
  - POSITIVE LATCHING
  - CONCEALED SWEEPS
  - SMOKE RATED SEALS

- OPTIONS AVAILABLE:
- SPECIAL FINISHES
  - PACKAGE WILL ACCEPT , 5/8" [15.9], 1" [25.4] & 1 1/4" [31.8] GLASS
  - 7" & 10" BOTTOM RAILS
  - 1" WIDE JAMBS
  - MUNTINS
  - SELF-CLOSING
  - MAGNETIC HOLD OPEN
  - AL DAMPENR
  - ANTI-STATIC
  - CENTERING WHEEL
  - TRACK PACKAGE
  - FULL CLOSING DAMPENING DEVICE



**BREAKOUT SIDE**  
LH SLIDE SHOWN (RH SLIDE OPPOSITE)  
SECTION A-A  
SCALE - 1:5

- DOORS WILL BREAK OUT IN ANY POSITION

REFER TO RELEVANT [LOCAL, STATE, NATIONAL, OR AHJ] BUILDING CODE FOR MIN DOOR HEIGHT & MIN/MAX WIDTH ALLOWABLE FOR EGRESS REQUIREMENT IN CONJUNCTION WITH TABLE.

DWG NO. \_\_\_\_\_

DRN BY SS DATE 8/27/20 CHK BY \_\_\_\_\_ DATE \_\_\_\_\_ REV. 0.1 DATE 8/30/20

---

SECTION NO. \_\_\_\_\_ SHEET NO. \_\_\_\_\_

**ENTREMATI DS10 8**